

KitchenAid®

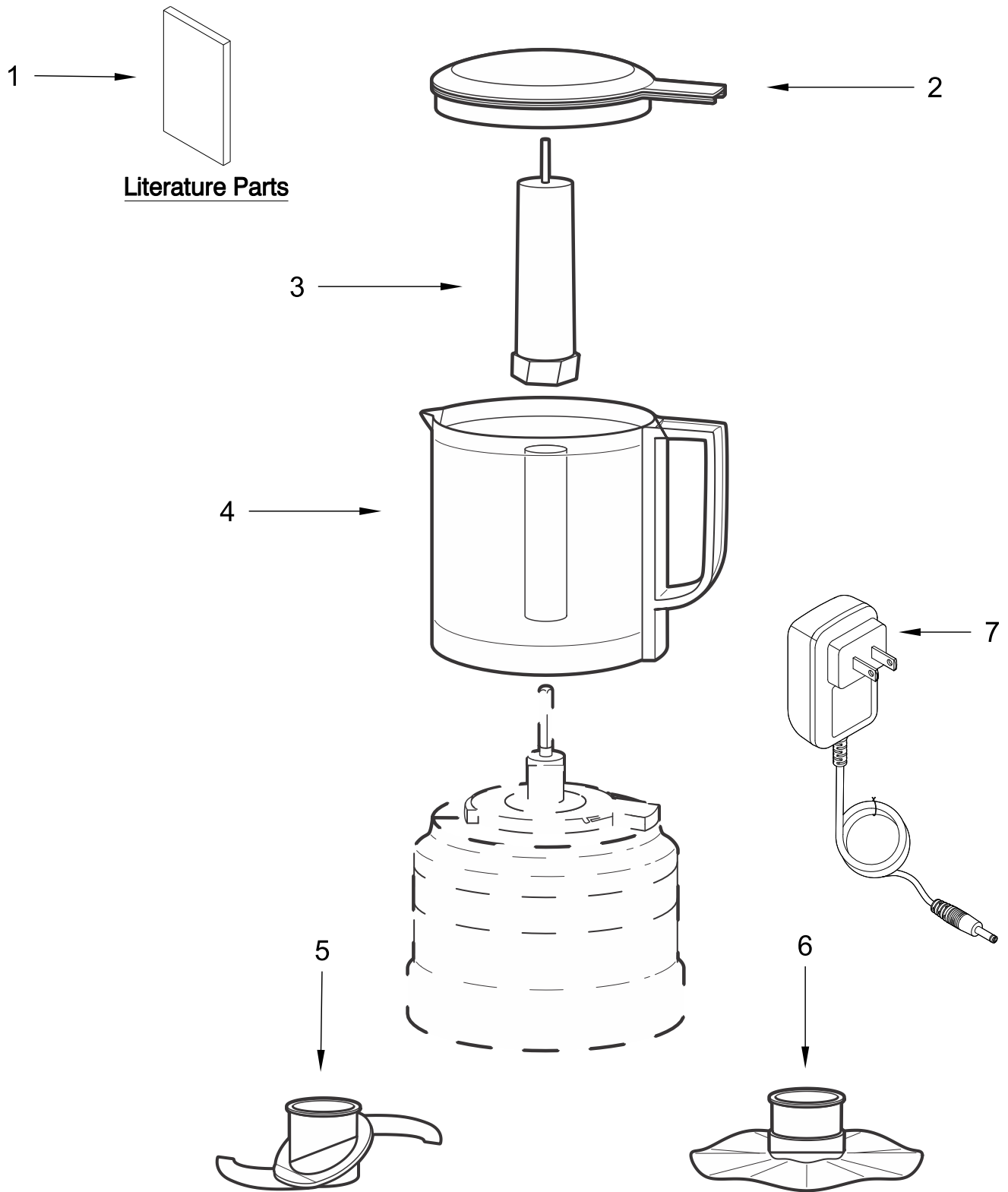
5 CUP CORDLESS FOOD CHOPPER

MODELS:

5KFCB519EBM0 (Black Matte)

5KFCB519EER0 (Empire Red)

HOUSING UNIT PARTS



HOUSING UNIT PARTS

<u>Illus.</u> <u>No.</u>	<u>Part No.</u>	<u>Description</u>	<u>Illus.</u> <u>No.</u>	<u>Part No.</u>	<u>Description</u>	<u>Illus.</u> <u>No.</u>	<u>Part No.</u>	<u>Description</u>
1		Literature Parts	3	W11310462	Adapter, Drive	6	W11310460	Blade, Whisking
	W11418487	Use & Care Guide	4	W11310453	Bowl Assembly	7	W11413727	Charger
2	W11310451	Lid Assembly	5	W11310454	Blade, Multipurpose			